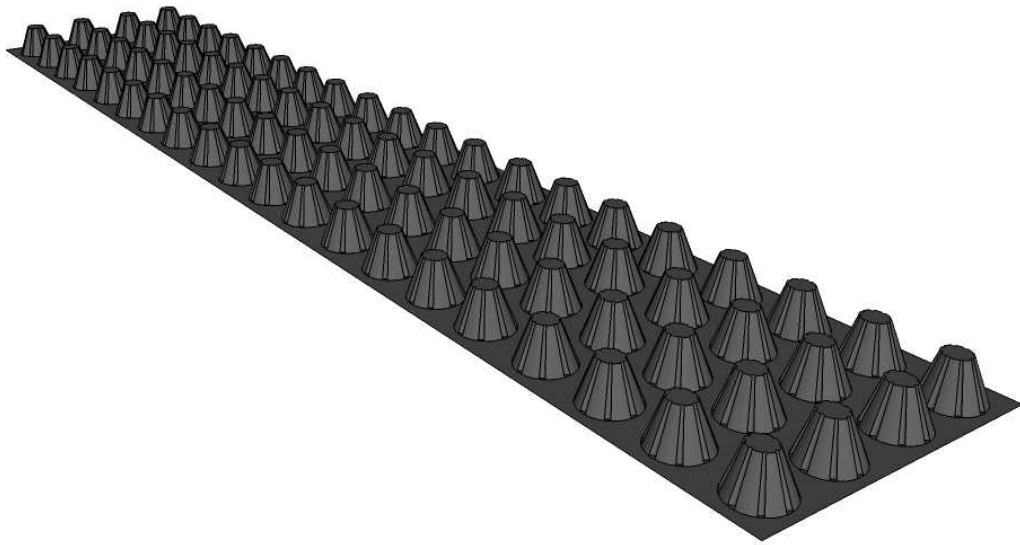




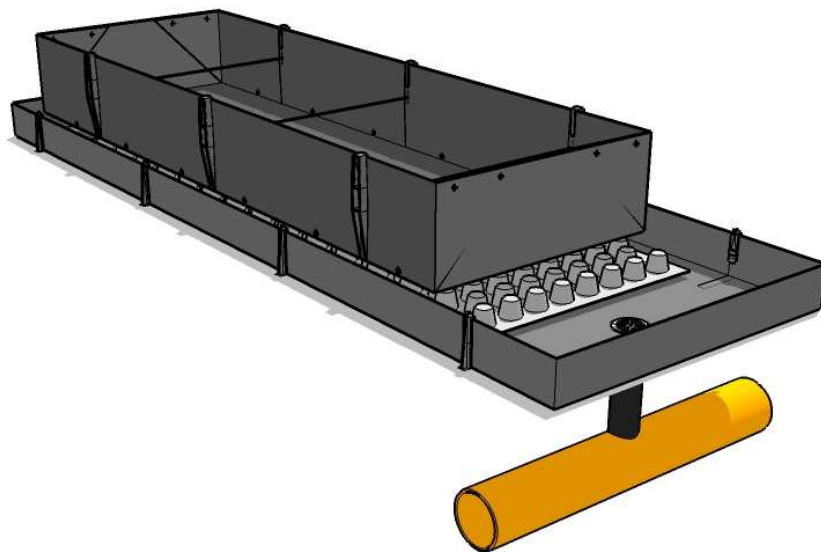
# MAPAL DRAINAGE SPACERS

One of the more simple yet brilliant concepts of Mapals innovative Agro Technologies is the Drainage Spacer

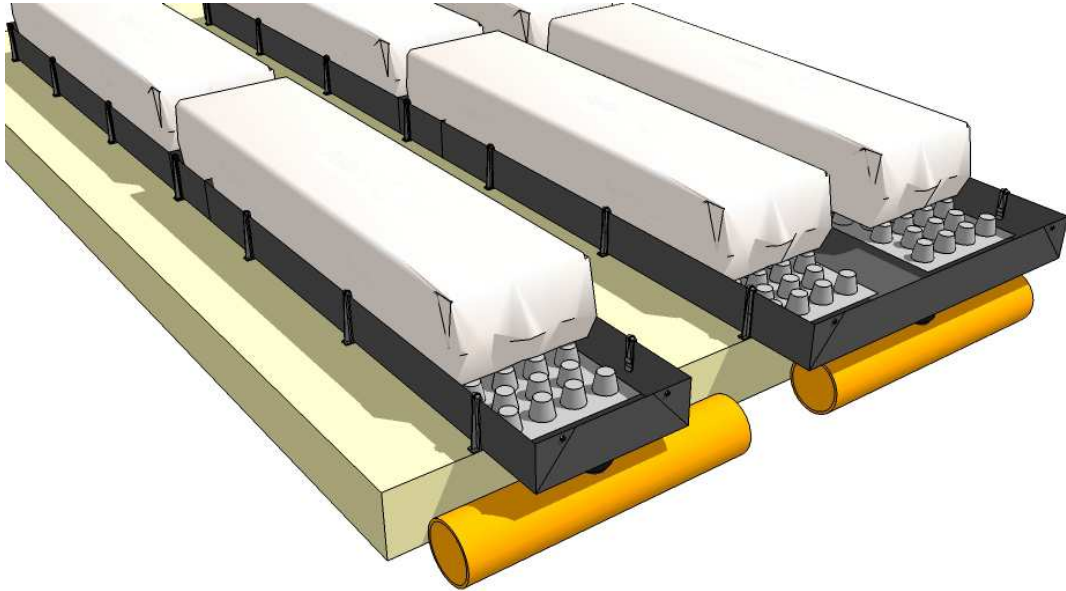


Mapals Drainage Spacer creates a distance of 3 cm between the roots and the drainage water/ground depending on the growing system being used.

1. Mapal Trough + Drainage Spacer + Drainage envelope for loose substrate (coco peat, perlite, volcanic soil ...)

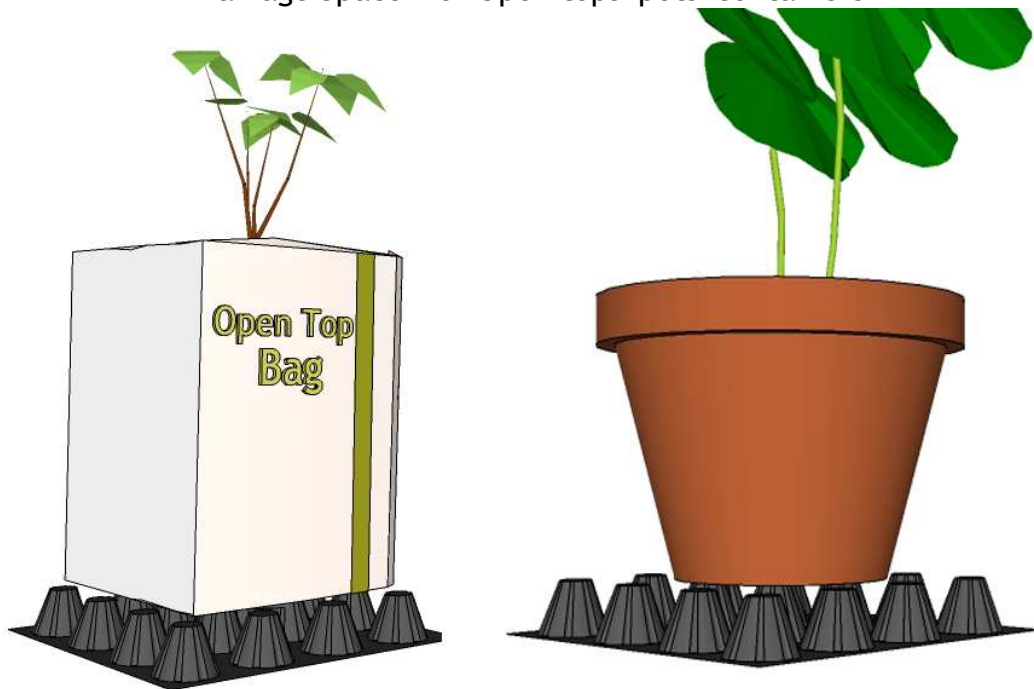


## 2. Drainage Spacer + Drainage envelope for Growbags



The Drainage Spacer allows for the collection of drainage water avoiding prolonged contact between the growbags and the drainage water  
(Recommended slope 1- 1.5 %)

## 3. The Very Berry Spacer Drainage Spacer for Open tops/pots/containers



This Spacer is used for growing berries, bushes and trees.

The Spacer prevents roots from reaching the soil and diseases from the earth, from reaching the Open top, pot or container.

The generally used sizes are 20x20 and 30x30  
Sizes are optional and adaptable to customers needs

# Advantages of the Mapal Spacer

Flexible dimensions

Suitable for all kinds of growing systems

Resistant to UV

Resistant to steam sterilization

Resistant to chemicals and acids

5 year warranty

Recyclable

Environmentally friendly

Stackable (easy to store & lower shipping costs)



MAPAL PLASTICS  
AGRICULTURAL PRODUCTS DIVISION

<http://www.mapalplastics.com/agr.html>